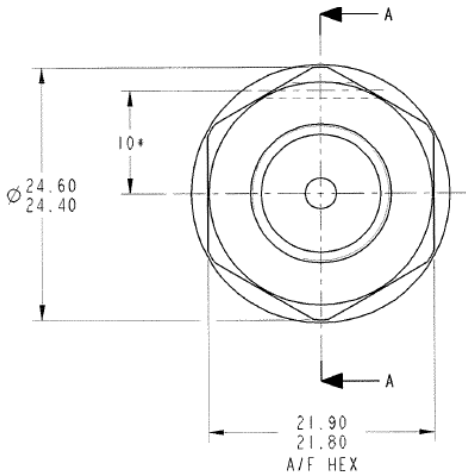
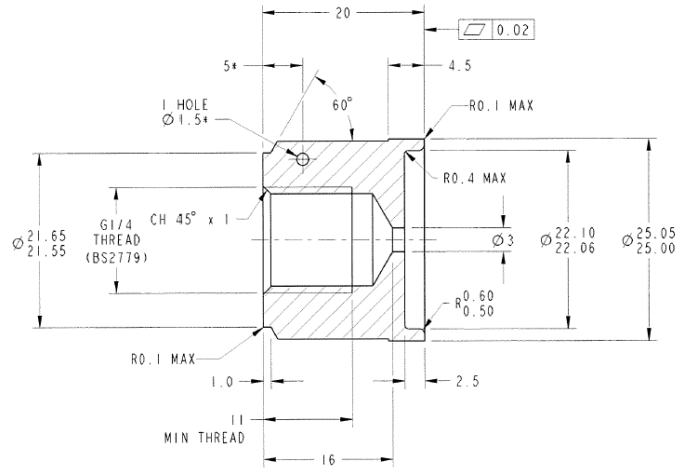


UNIK5000 Pressure Connector Options

PA G1/4 Female

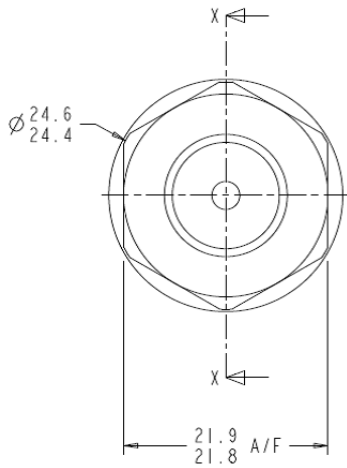


227-240 G1/4 Female

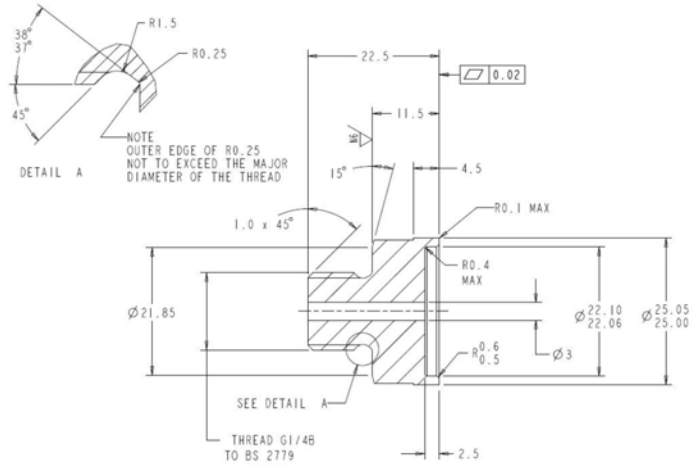


A-A3-1790\$02C

PB G1/4 Male Flat

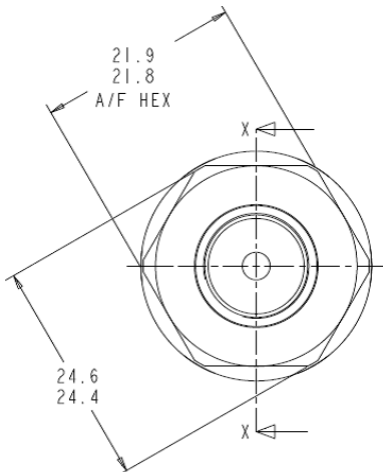


227-229 G1/4 Male Flat

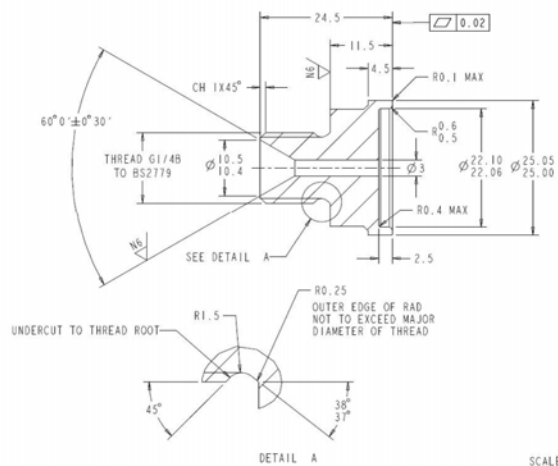


A-A3-1769\$05B

PC G1/4 Male 60° Int Cone



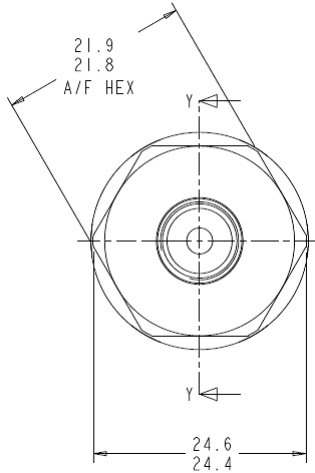
227-232 G1/4 Male 60° Int Cone



A-A3-1771\$04B

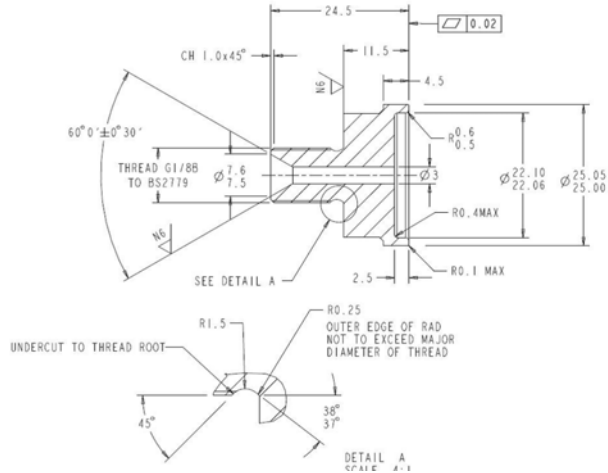
UNIK5000 Pressure Connector Options

PD G1/8 Male 60° Int Cone



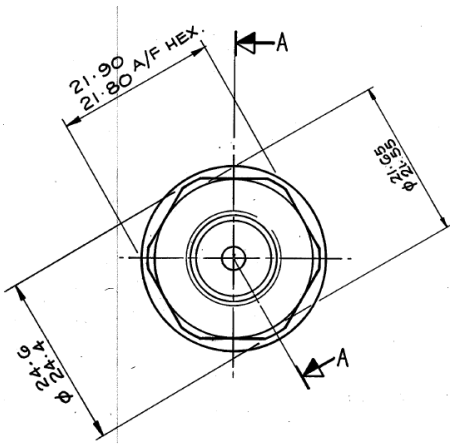
227-231

G1/8 Male 60° Int Cone



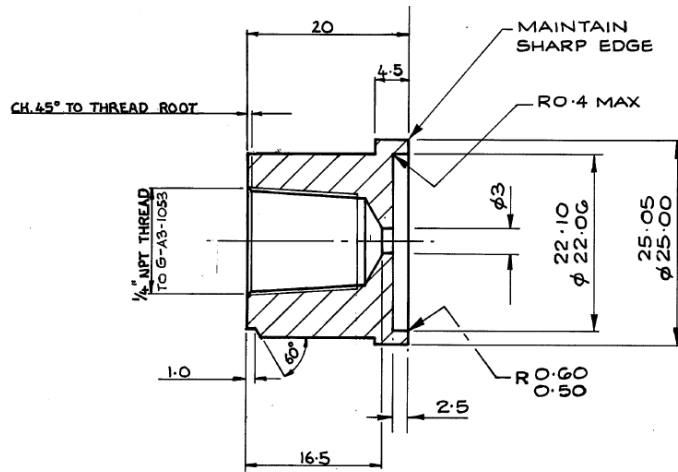
A-A3-1770\$03C

PE 1/4 NPT Female



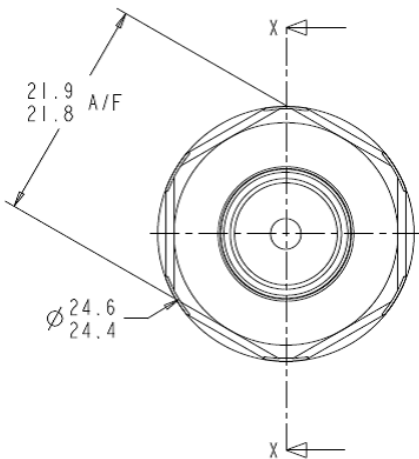
227-241

1/4 NPT Female



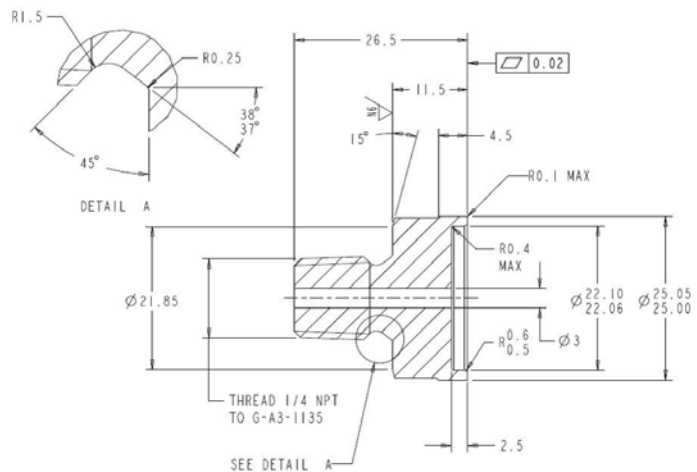
A-A3-1791\$02D

PF 1/4 NPT Male



227-233

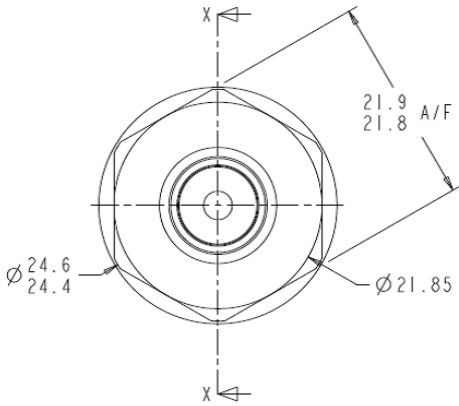
1/4 NPT Male



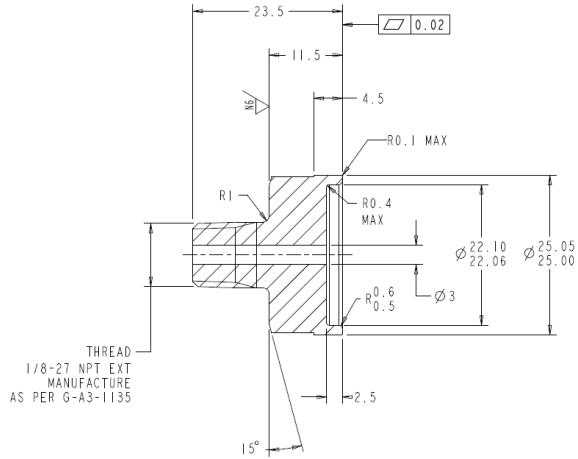
A-A3-1772\$05B

UNIK5000 Pressure Connector Options

PG 1/8 NPT Male

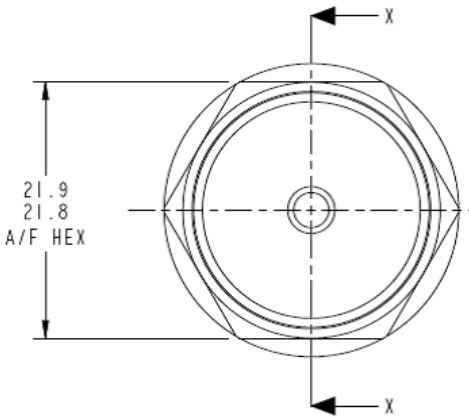


227-253 1/8 NPT Male

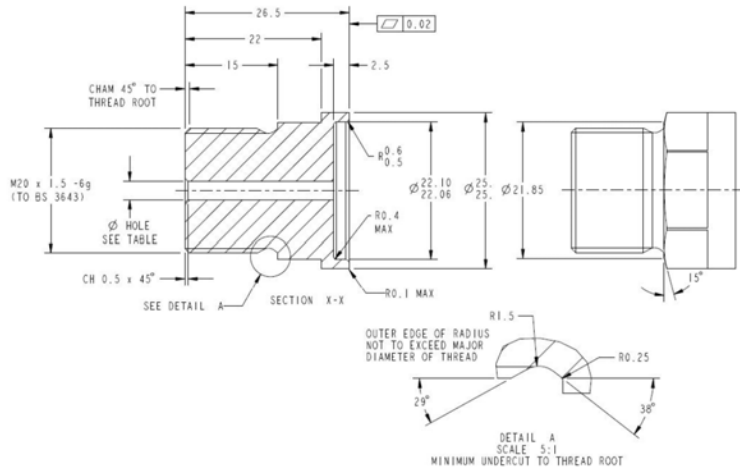


A-A3-1850\$01C

PH M20 X 1.5

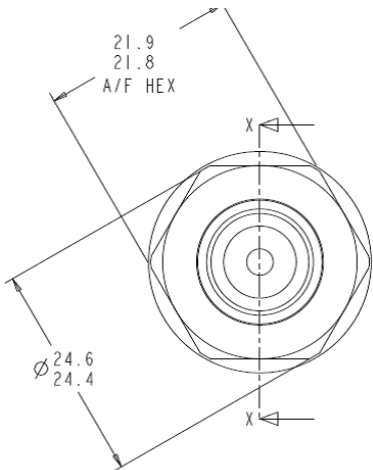


227-904-01 M20 X 1.5

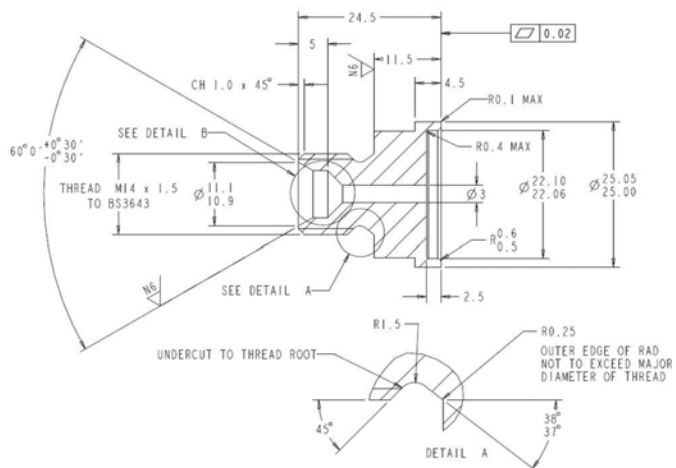


A-A3-5703\$01E

PJ M14 X 1.5 60° Int Cone



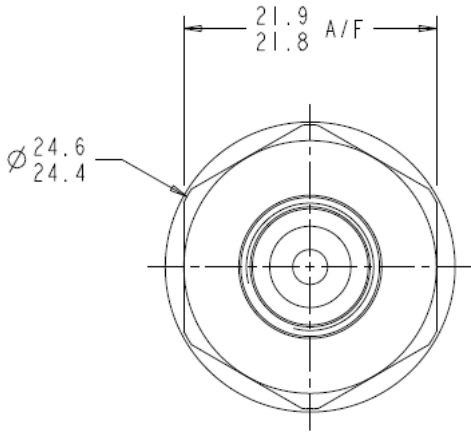
227-234-03 M14 X 1.5 60° Int Cone



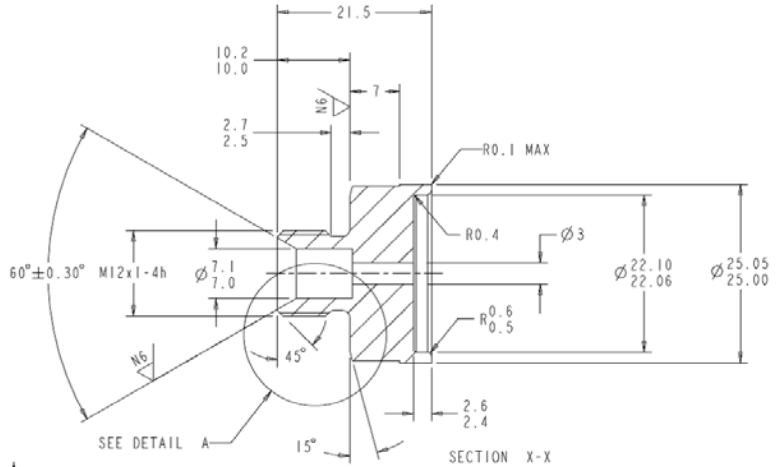
A-M3-1773\$03C

UNIK5000 Pressure Connector Options

PK M12 X1 Int Cone

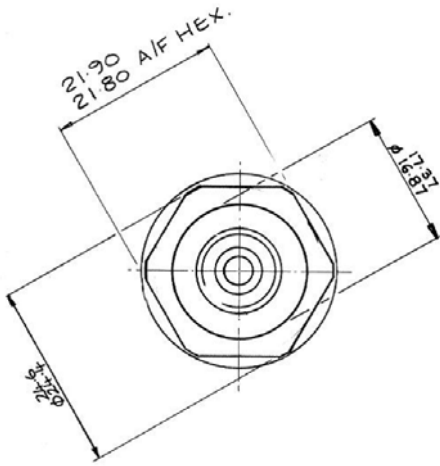


226-365-01 M12 X1 Int Cone

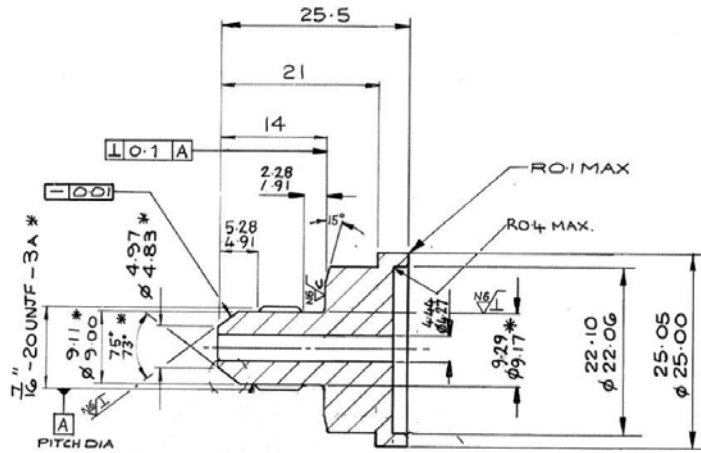


A-A3-7974\$01B

PL 7/16-20 UNJF Male 74° Int Cone



227-209-05 7/16-20 UNJF Male 74° Int Cone

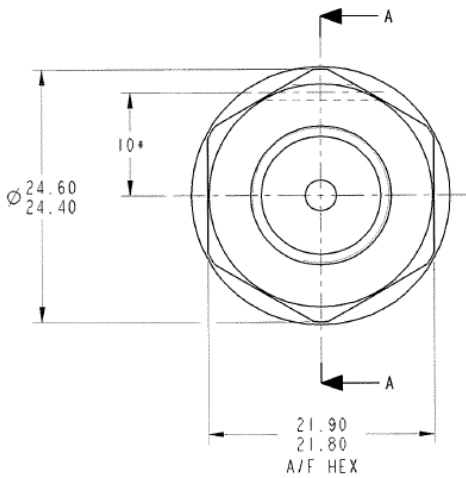


A-A3-1675\$05C

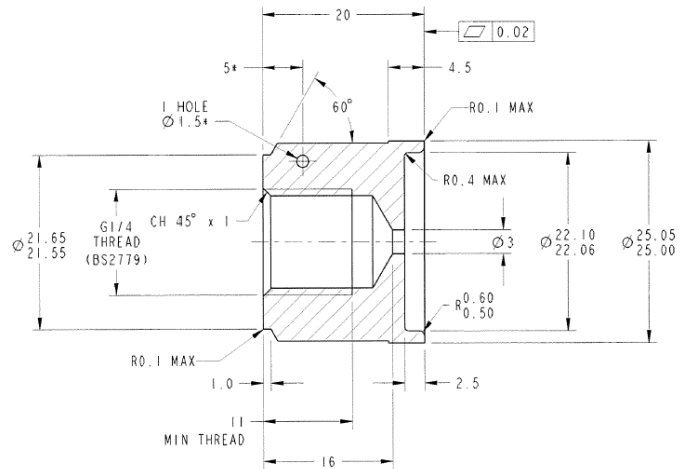
PN G1/2 Male Via Adaptor

DA6854-1-01 G1/2 Male Via Adaptor

A-PL-6854\$01A

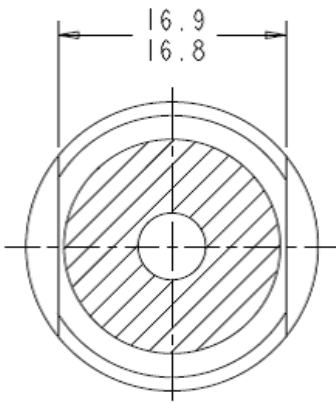


227-240 Conn G1/4 Femi D25 316 Push D

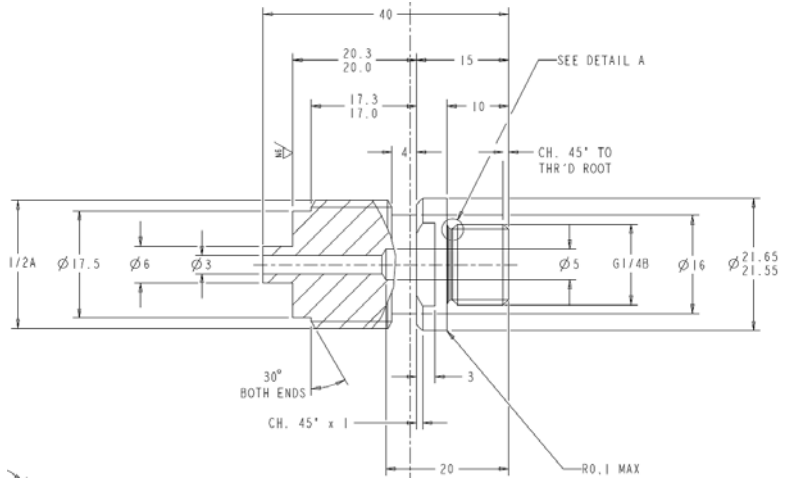


A-A3-1790\$02C

UNIK5000 Pressure Connector Options



VIEW AT A-A



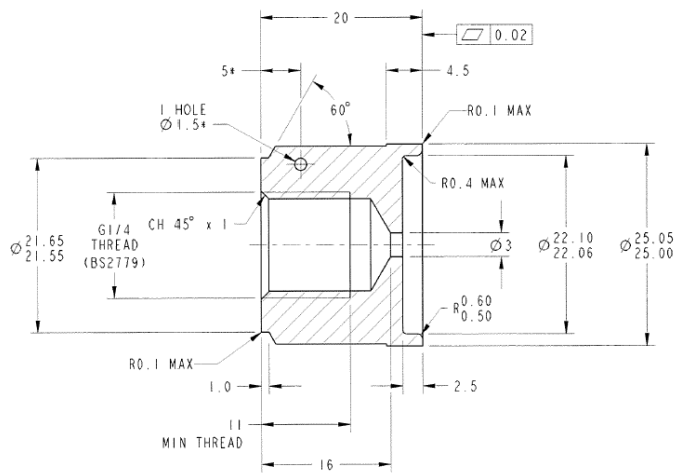
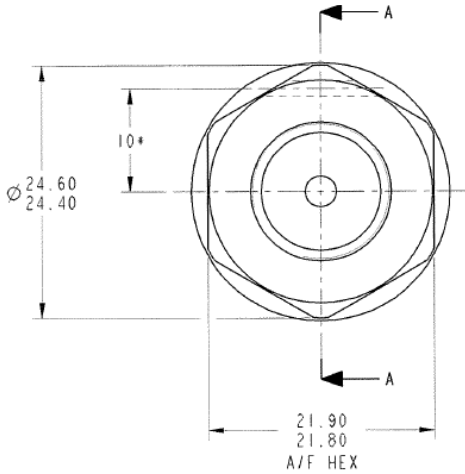
- 190-039 Adapt Core G1/4 Male To G1/2a
- 204-068 Seal Bonded G1/4 Silicon 400-0

A-A4-1950\$01C

PR 1/2 NPT Male Via Adaptor

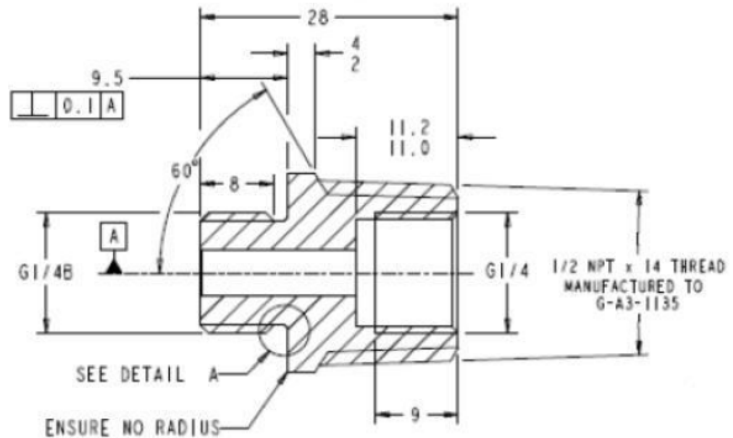
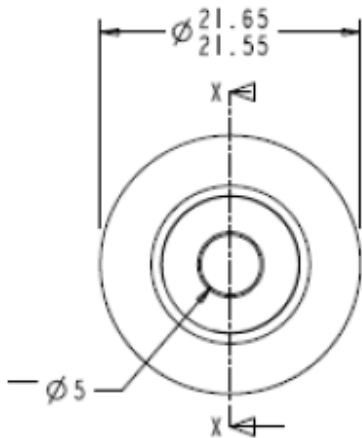
DA6855-1-01 1/2 NPT Male Via Adaptor

A-PL-6855\$01A



227-240 Conn G1/4 Femi D25 316 Push D

A-A3-1790\$02C



- 190-233-01 Adaptor G1/4m To 1/2nptm Ptx78
- 204-068 Seal Bonded G1/4 Silicon 400-0

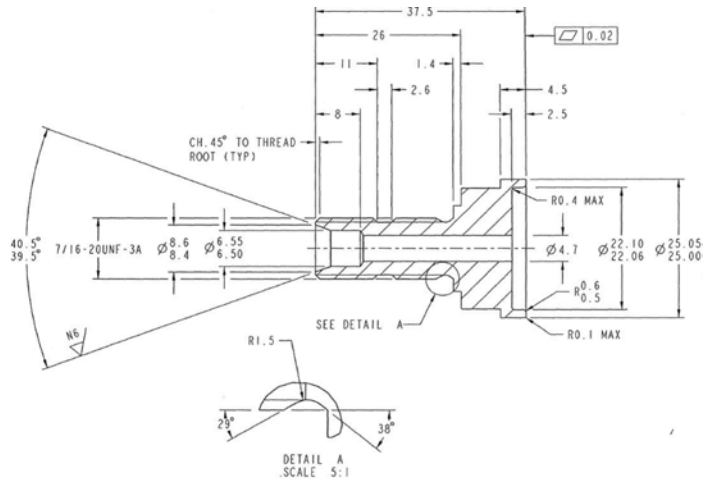
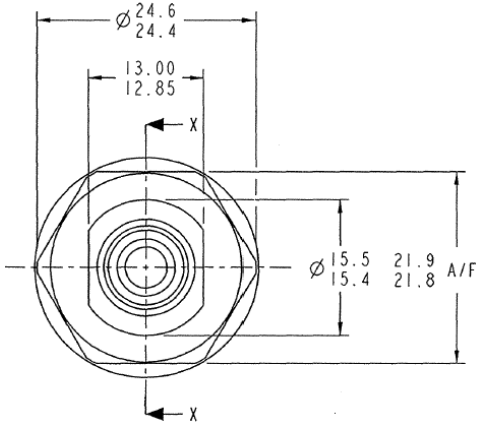
A-A4-5511 \$01F

UNIK5000 Pressure Connector Options

PS G1/4 Swagelok Bulkhead

DA6889-1 G1/4 Swagelok Bulkhead

A-PL-6889\$02A

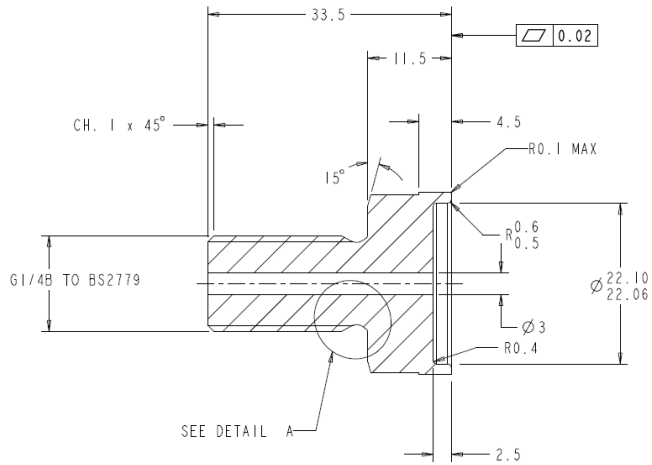
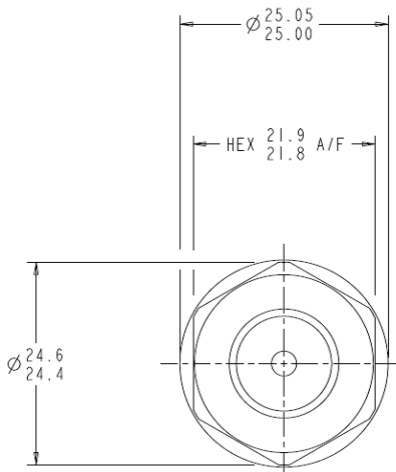


227-569-01 Conn 7/16 UNF Male Bulk 1/4 Swa

A-A3-3811\$01A

092-003 Nut-Thin 7/16-20 UNF-2b

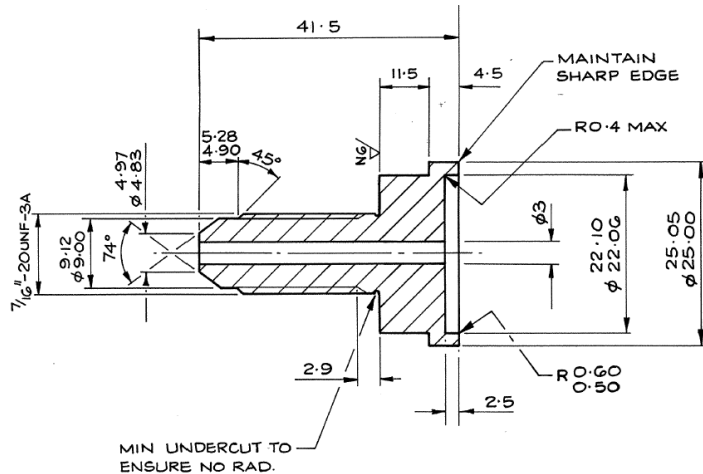
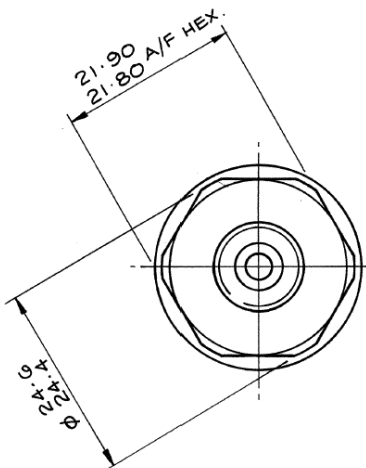
PT G1/4 Male Flat Long



226-101-01 G1/4 Male Flat Long

A-A3-7213\$01C

PU 7/16 -20 UNF Male Long 37° Flare Tip

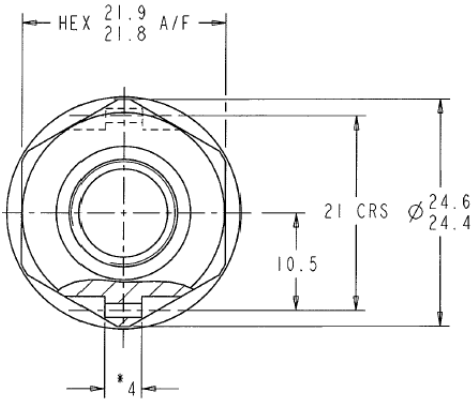


227-265 7/16 -20 UNF Male Long 37° Flare Tip

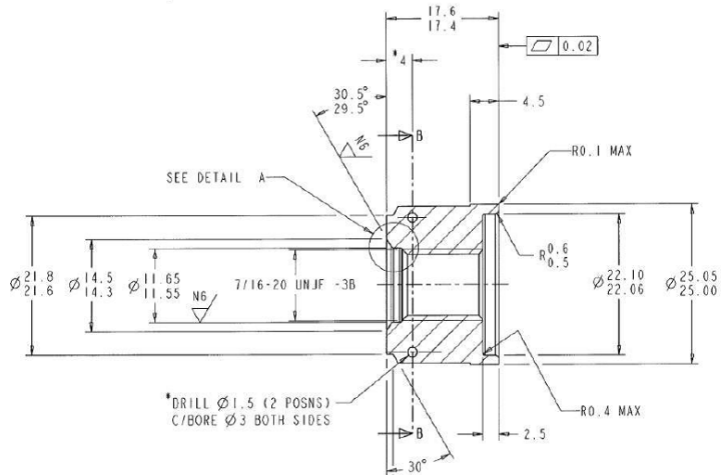
A-A3-1878\$1_

UNIK5000 Pressure Connector Options

PV 7/16 UNF Female



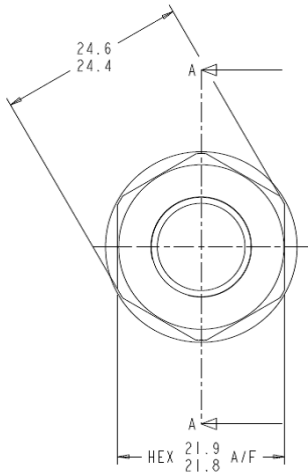
227-251-03 7/16 UNF Female



A-A3-1847\$03E

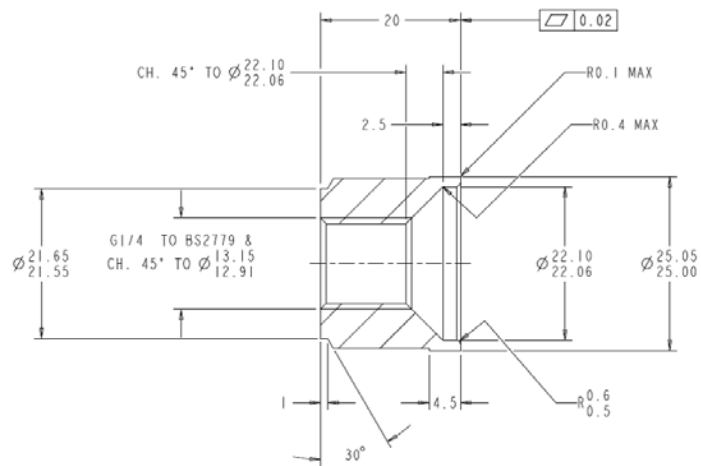
PW Depth Cone

DA6598-1-01 Depth Cone

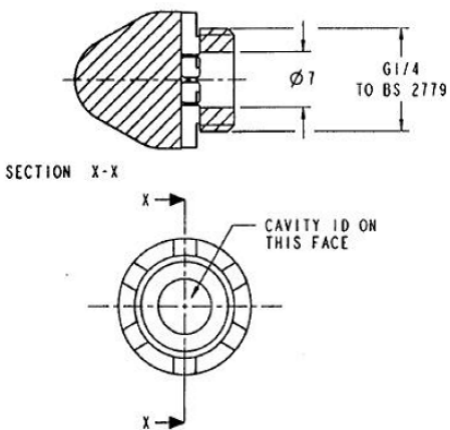


227-495-02 Conn G1/4 Femi Thro' D25 316 P

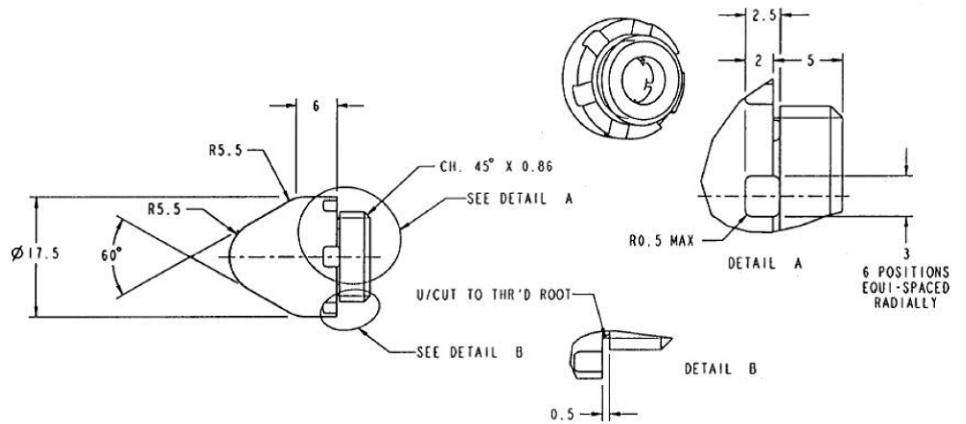
A-PL-6598 \$01C



A-A3-3595\$02A



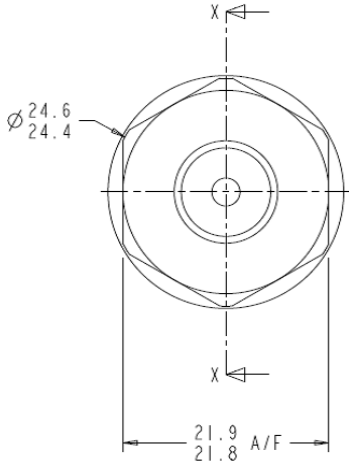
222-112-01 Depth Cone D17.5 Injection Mould



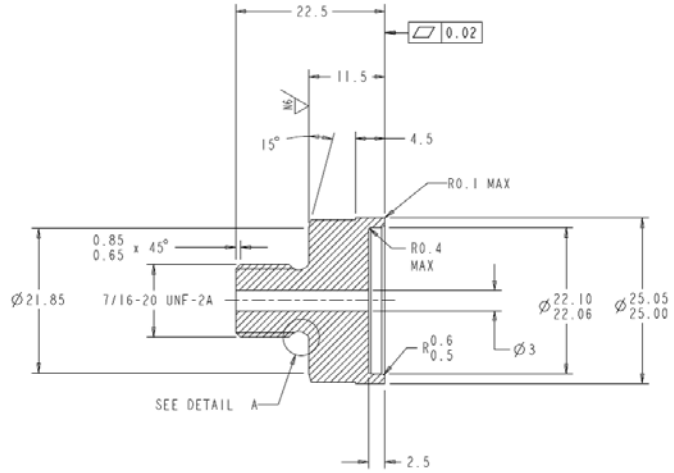
H-A3-1270\$01A

UNIK5000 Pressure Connector Options

PX 7/16 UNF Male Short Flat

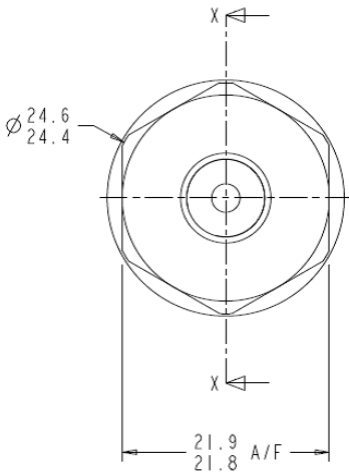


226-373-01 7/16 UNF Male Short Flat

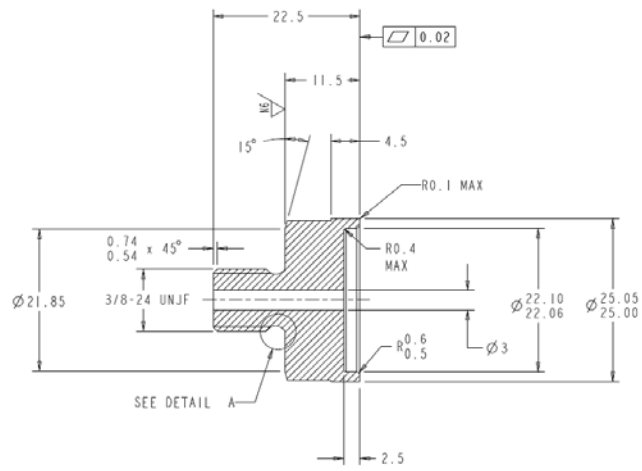


A-A3-7994\$01A

PY 3/8-24 UNJF

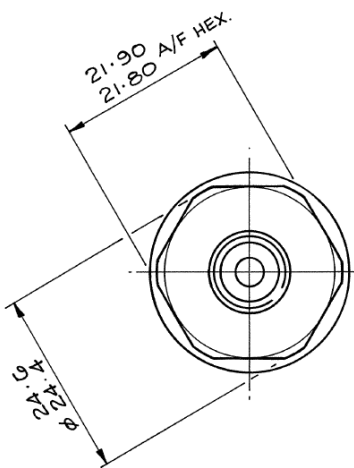


226-367-01 3/8-24 UNJF

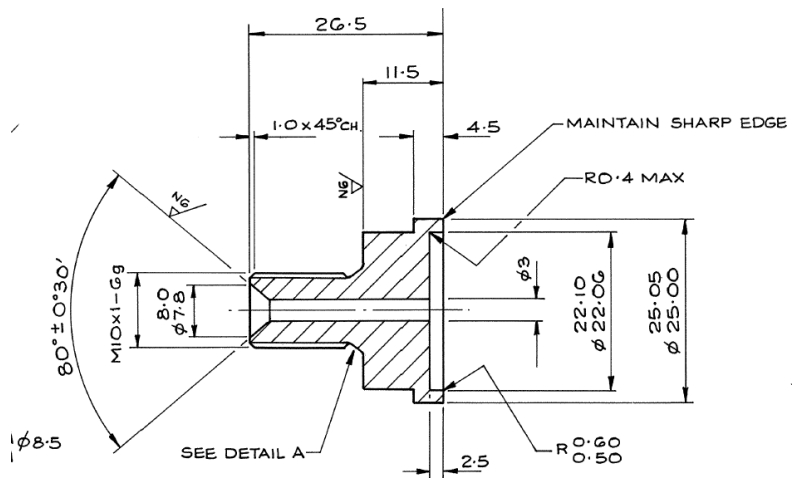


A-A3-7979\$01A

PZ M10 X 1 80° Int Cone



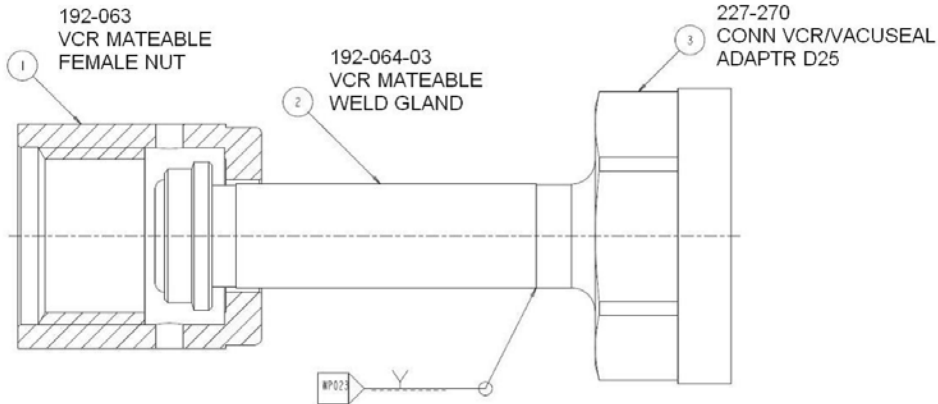
227-315 M10 X 1 80° Int Cone



A-A3-1989\$2_

UNIK5000 Pressure Connector Options

RA VCR Female



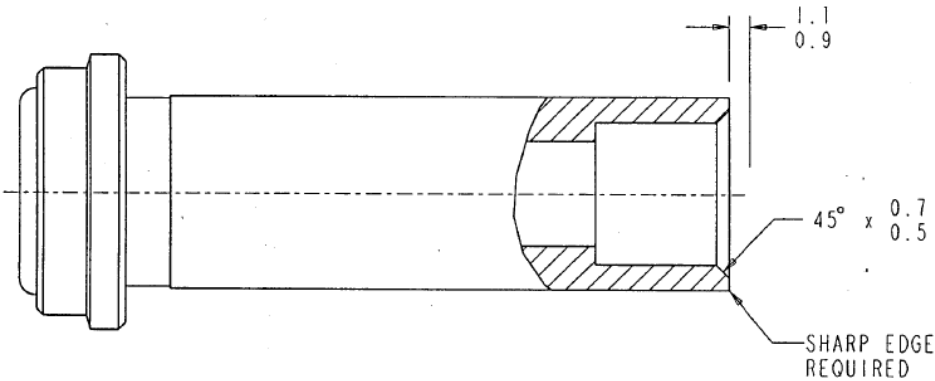
DA6831-1-01 VCR Female

A-A3-6831\$01A



General	
Body Material	316 Stainless Steel
Cleaning Process	Standard Cleaning and Packaging (SC-10)
Connection 1 Size	1/4 in.
Connection 1 Type	Female VCR@ Metal Gasket Face Seal Split-Nut
eClass (4.1)	37020718
eClass (6.0)	23-11-07-00
UNSPSC (11.0501)	31161700
UNSPSC (4.03)	31161700
UNSPSC (SWG01)	31161700

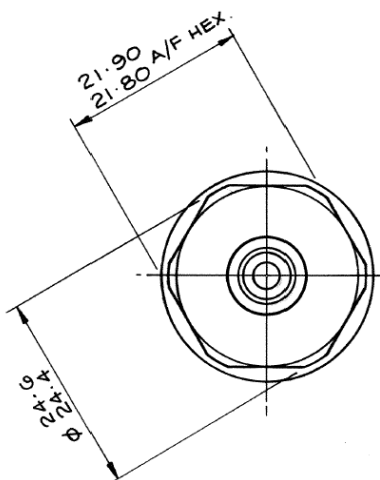
192-063 VCR Mateable Female Nut



192-064-03 VCR Mateable Weld Gland

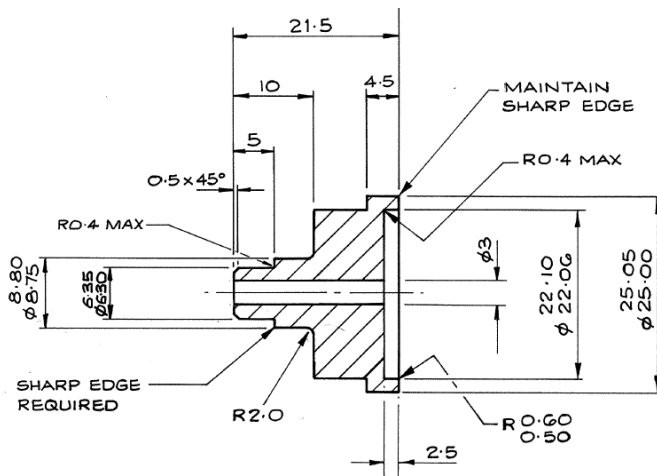
A-A4-1504 \$03A

UNIK5000 Pressure Connector Options



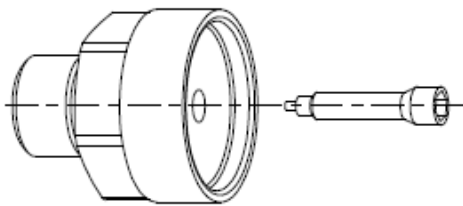
227-270

Conn VCR/Vacuseal Adaptr D25

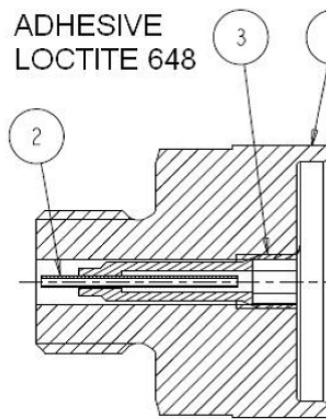


A-A3-1886\$2

RB G1/4 Male Flat With Snubber



DA0381-1
RESTRICTOR
ASSEMBLY

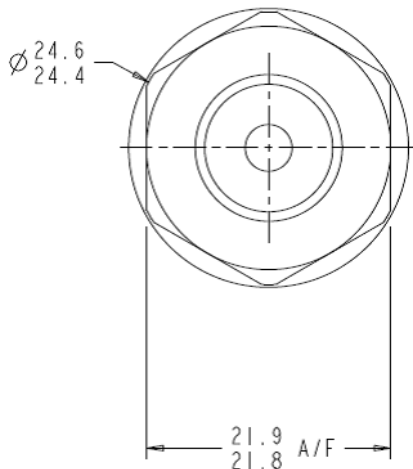


ADHESIVE
LOCTITE 648

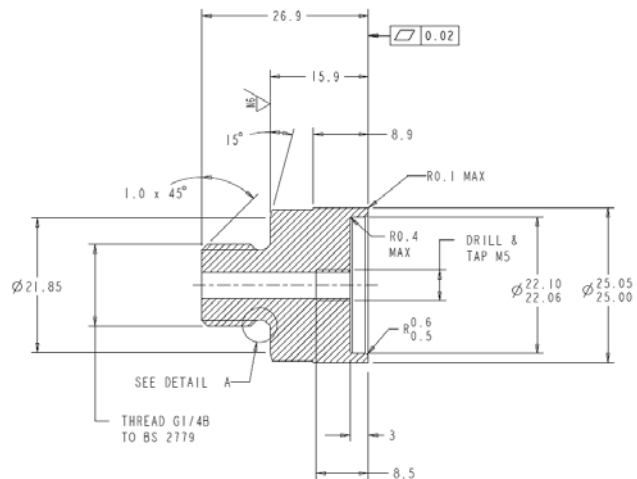
226-366-01
CONN G1/4B MALE
D25 316 PUSH

DA6826-1-01 G1/4 Male Flat With Snubber

A-A3-6826\$01A

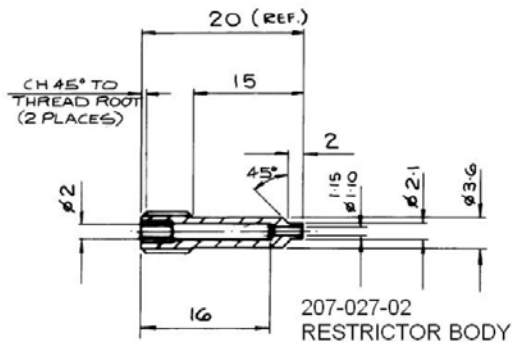
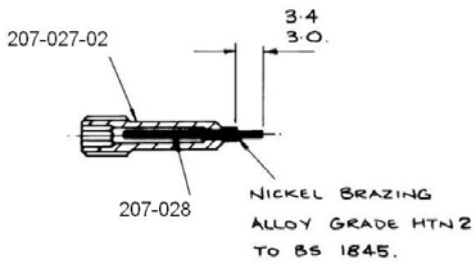


226-366-01 Conn G1/4b Male D25 316 Push F



A-A3-7980\$01A

UNIK5000 Pressure Connector Options



STAINLESS STEEL GRADE 304
TUBE . 1.10 OUTSIDE DIAMETER
0.685 INSIDE DIAMETER.
(GAUGE No. 19)

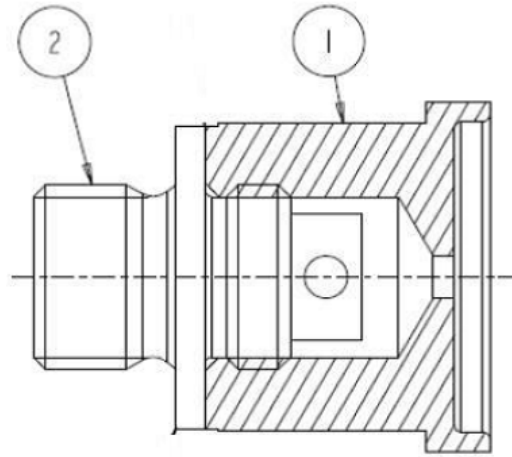
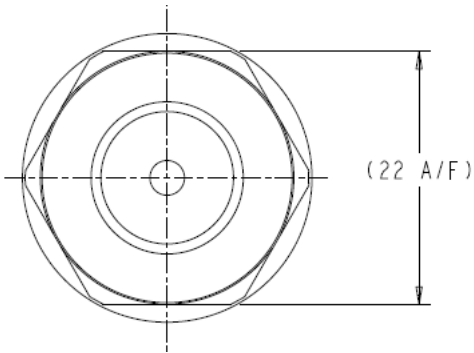


207-028
RESTRICTOR TUBE

DA0318-1 Restrictor Assembly

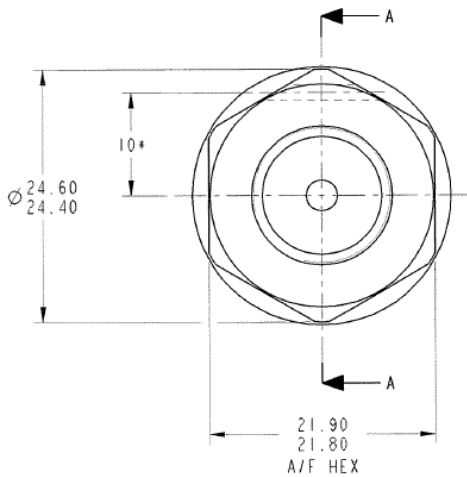
A-A-0318\$01B

RC G1/4 Male Flat With Cross Bore Protection

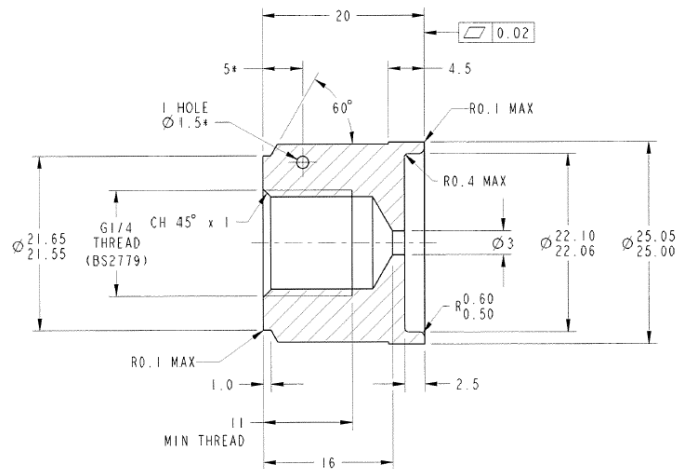


DA6967-1-01 G1/4 Male Flat With Cross Bore Protection

A-A-6967\$01A

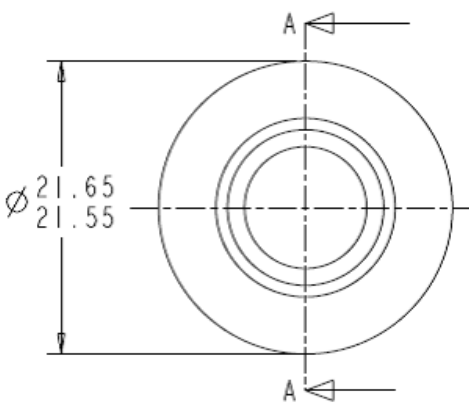


227-240 Conn G1/4 Feml D25 316 Push

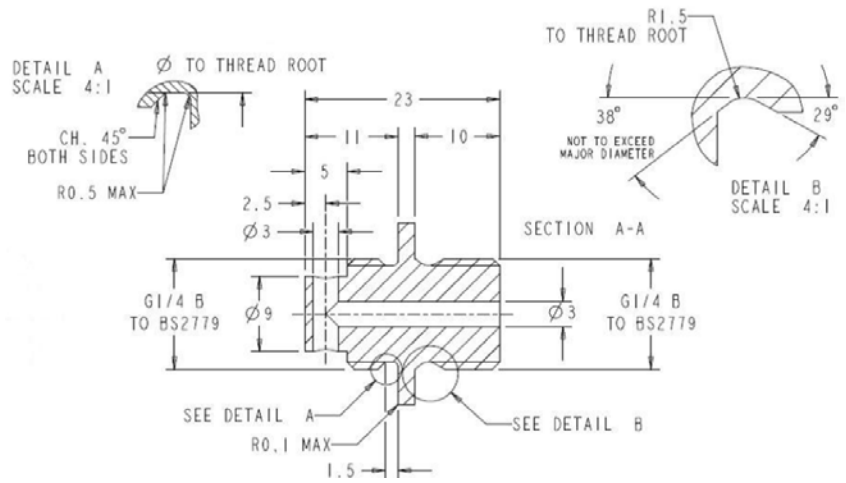


A-A-3-1790\$02C

UNIK5000 Pressure Connector Options

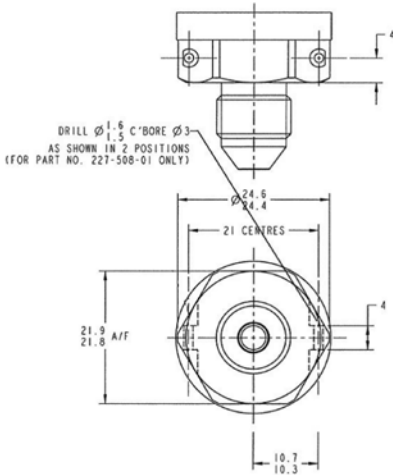


190-669-01 Adapt Core G1/4 Male To G1/4 M

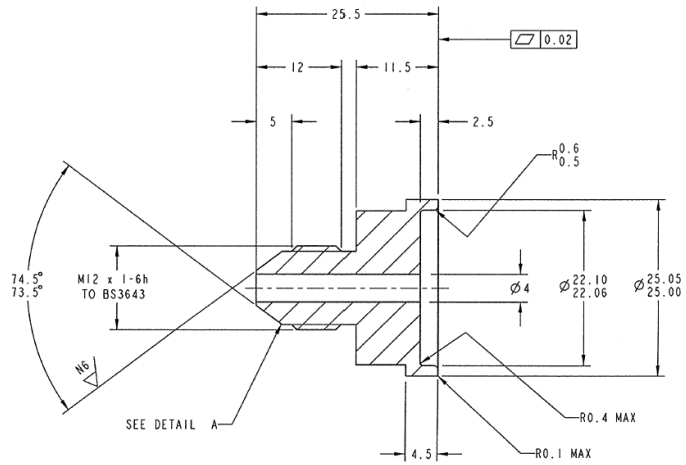


A-A-9055\$01A

RD M12 X 1.0 74 Degree External Cone

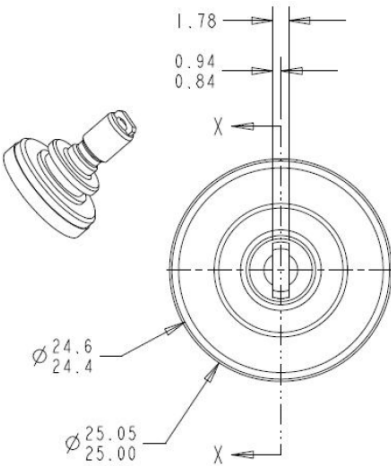


227-508-01 M12 X 1.0 74 Degree External Cone

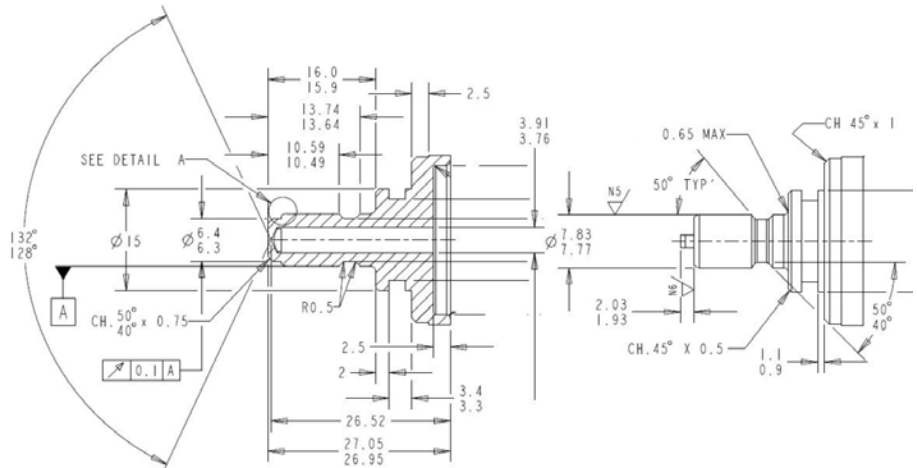


A-A3-3617\$01B

RE Quick Release Male



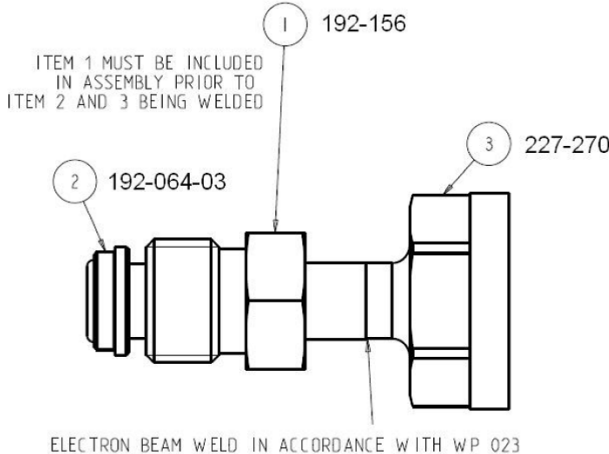
226-654-01 Quick Release Male



A-A3-9063\$01A

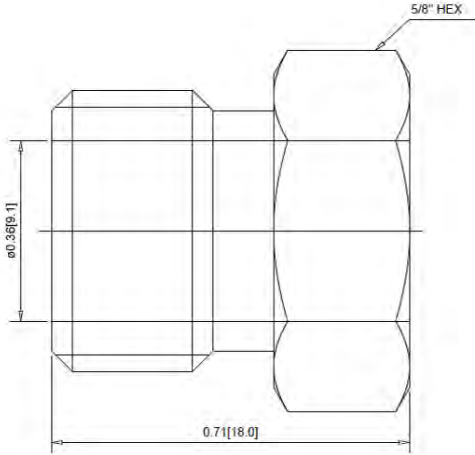
UNIK5000 Pressure Connector Options

RF VCR Male



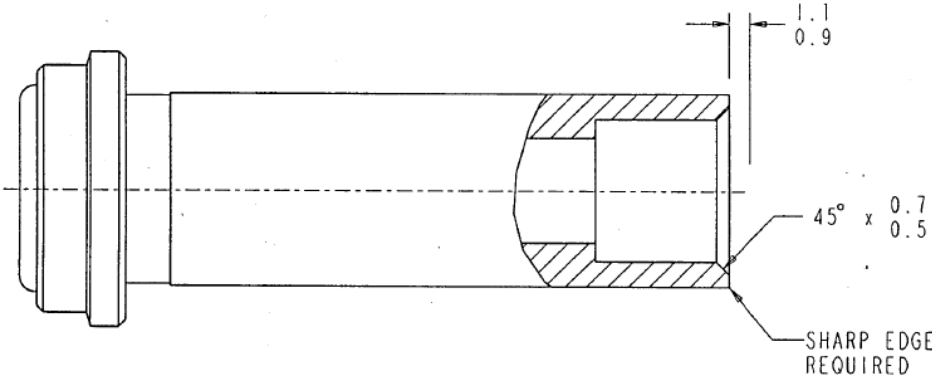
DA0430-1 VCR Male

A-A3-0430\$01C



192-156 VCR Mateable Male Nut 316

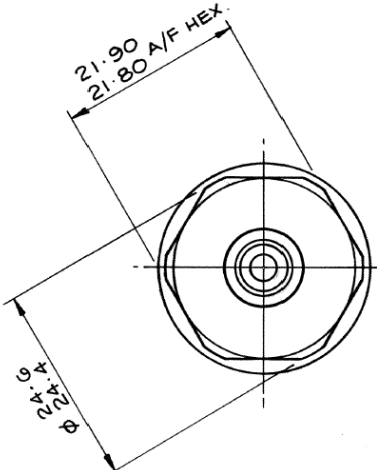
SS-4-VCR-4\$



192-064-03 VCR Mateable Weld Gland

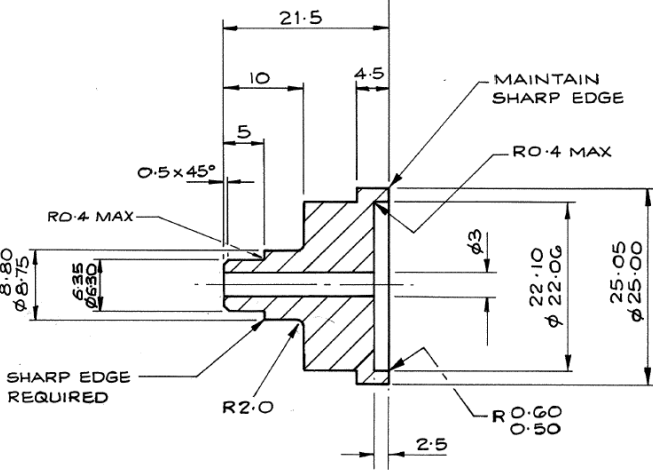
A-A4-1504 \$03A

UNIK5000 Pressure Connector Options



227-270

Conn VCR/Vacuseal Adaptr D25



A-A3-1886\$2